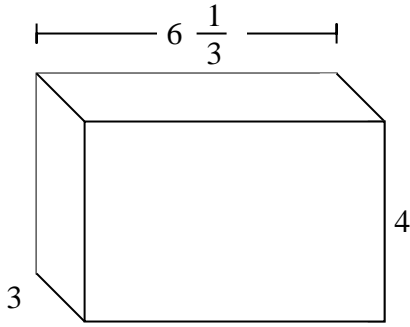


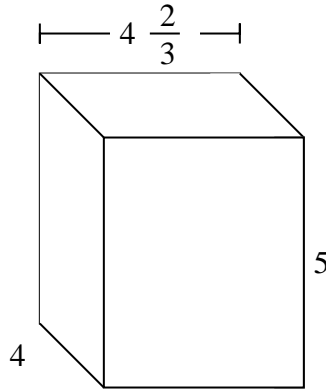


Fill each rectangular prism with cubes to determine the volume. Each prism's unit is measured in cm (not to scale).

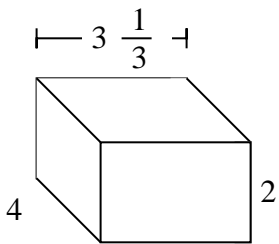
Ex)



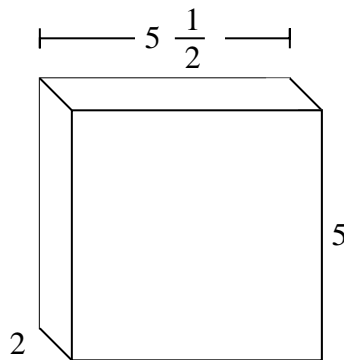
1)



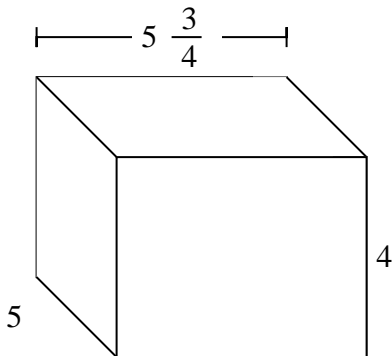
2)



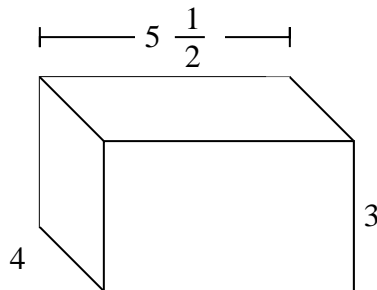
3)



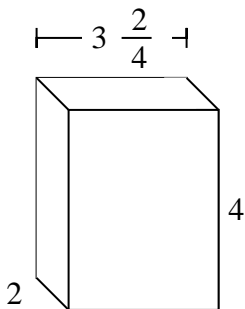
4)



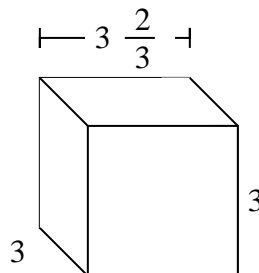
5)



6)



7)

AnswersEx. **76 cm**

1. _____

2. _____

3. _____

4. _____

5. _____

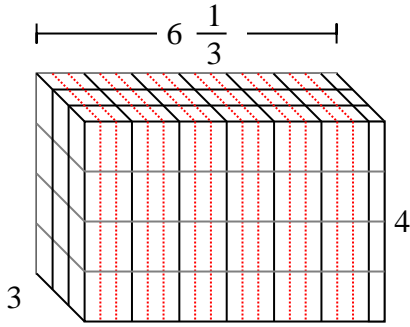
6. _____

7. _____

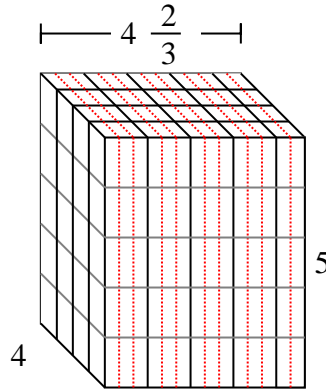


Fill each rectangular prism with cubes to determine the volume. Each prism's unit is measured in cm (not to scale).

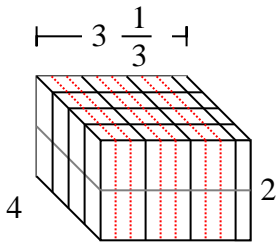
Ex)



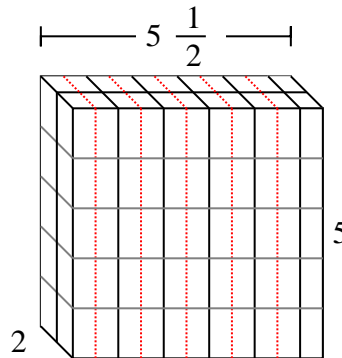
1)

Ex. 76 cm

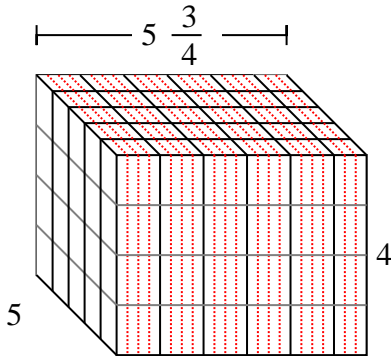
2)



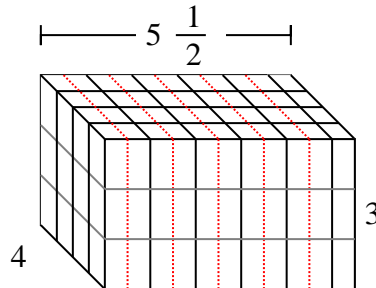
3)

1. 93 1/3 cm2. 26 2/3 cm3. 55 cm4. 115 cm

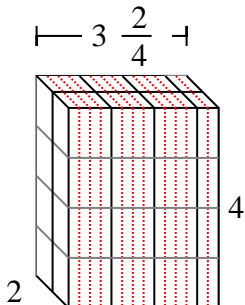
4)



5)

5. 66 cm6. 28 cm7. 33 cm

6)



7)

