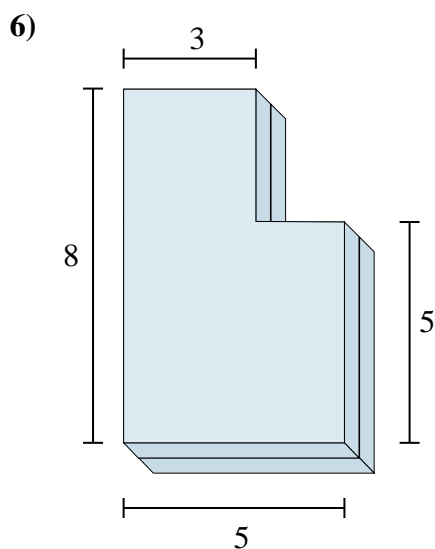
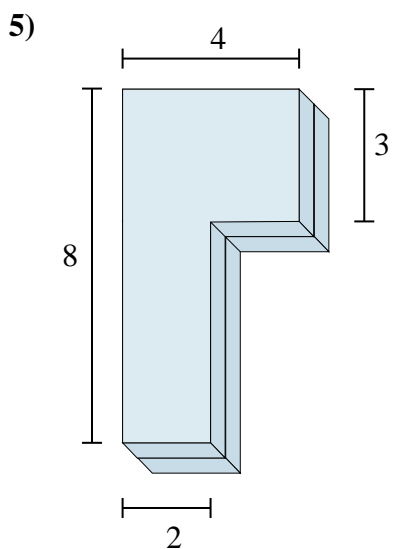
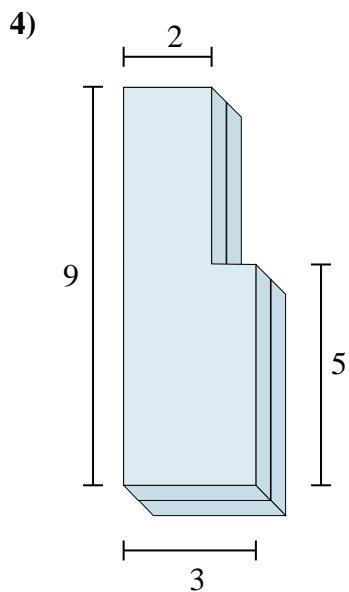
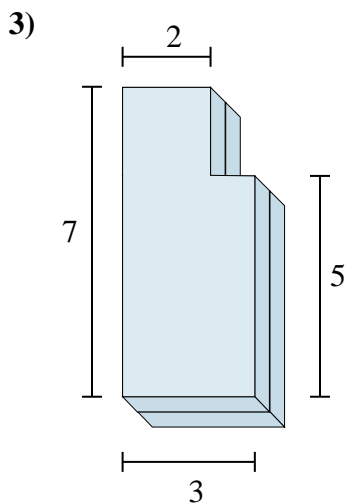
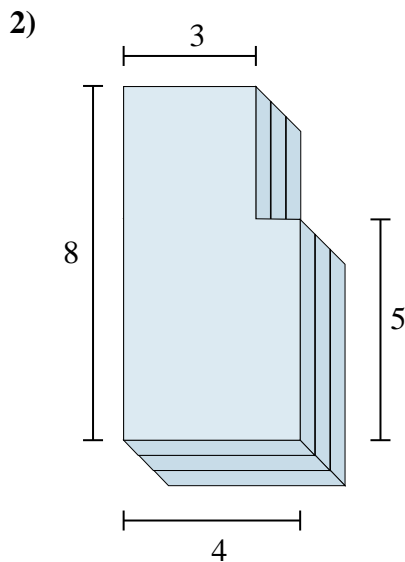
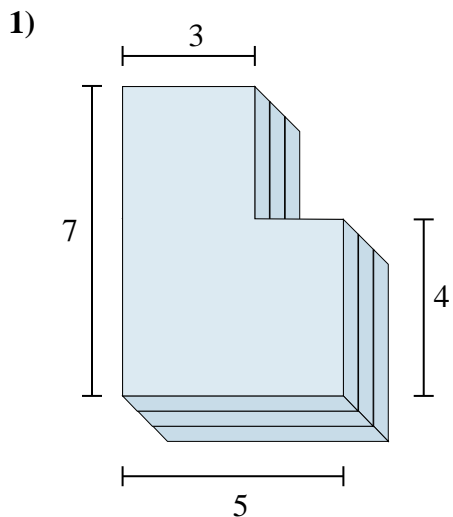




Find the total volume of each figure shown. Measured in cm (not to scale).

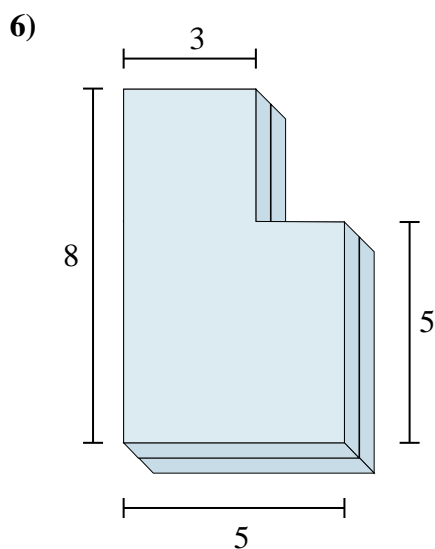
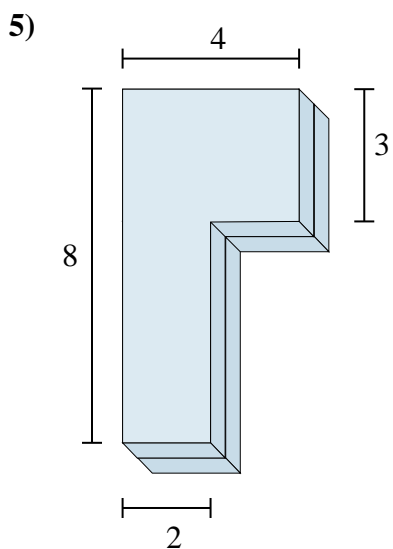
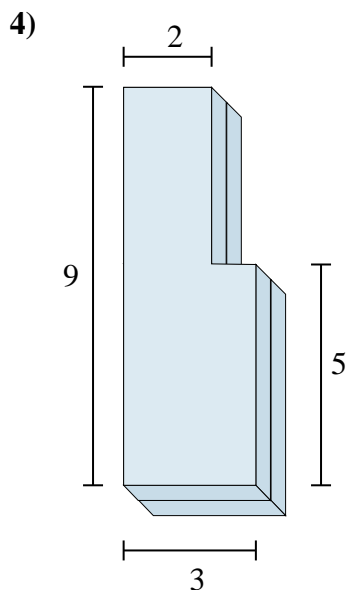
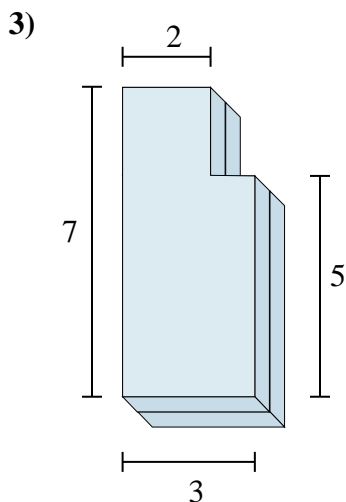
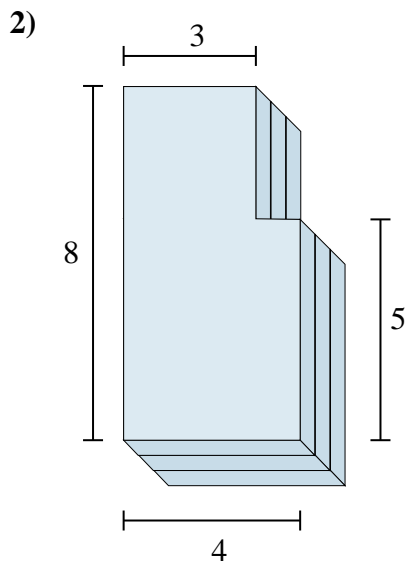
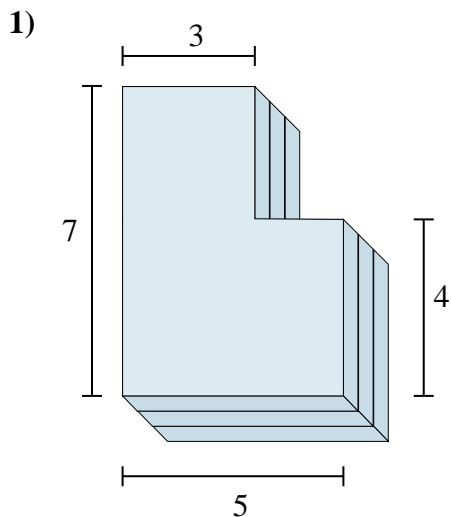


Answers

- 1. _____
- 2. _____
- 3. _____
- 4. _____
- 5. _____
- 6. _____



Find the total volume of each figure shown. Measured in cm (not to scale).



Answers

1. **87 cm³**

2. **87 cm³**

3. **38 cm³**

4. **46 cm³**

5. **44 cm³**

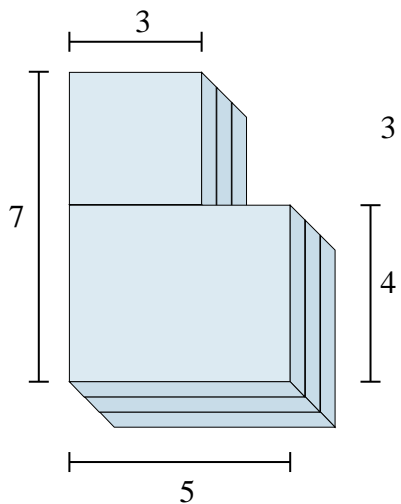
6. **68 cm³**



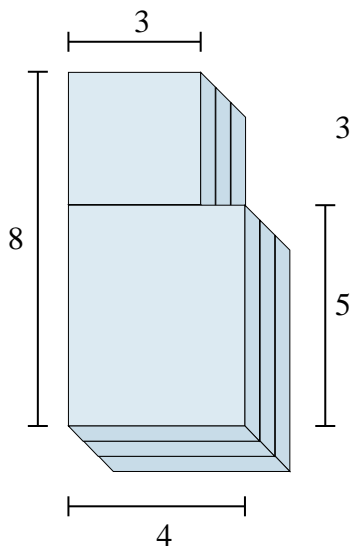
Find the total volume of each figure shown. Measured in cm (not to scale).

Answers

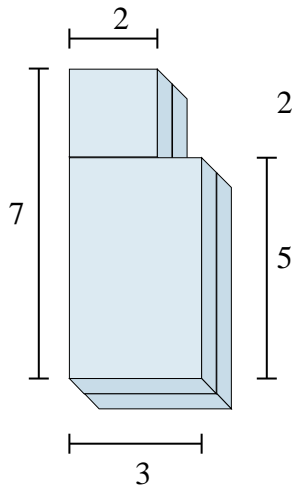
1)



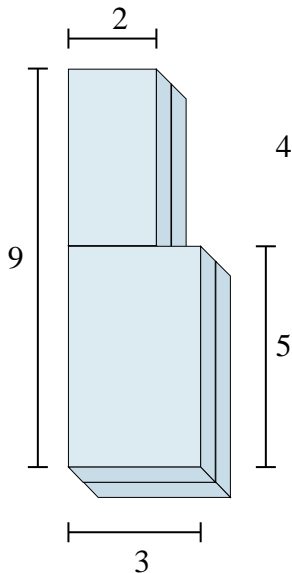
2)



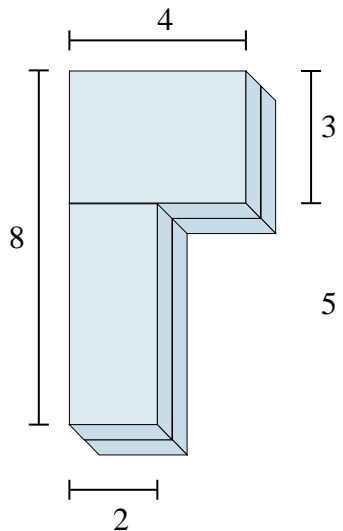
3)



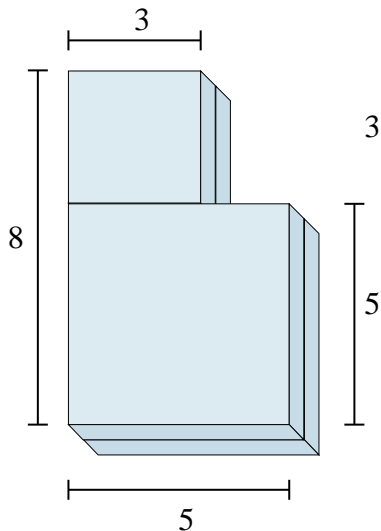
4)



5)



6)



1. _____
2. _____
3. _____
4. _____
5. _____
6. _____