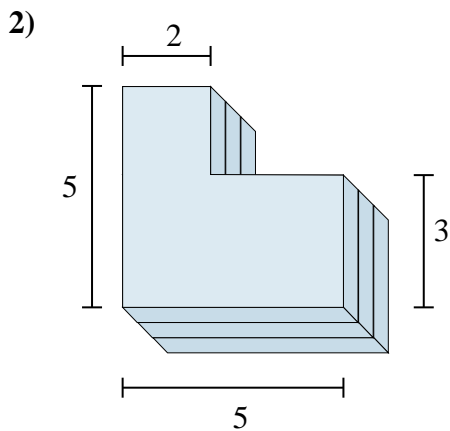
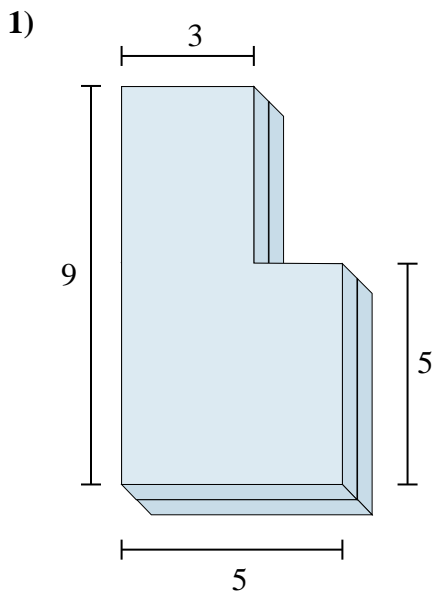


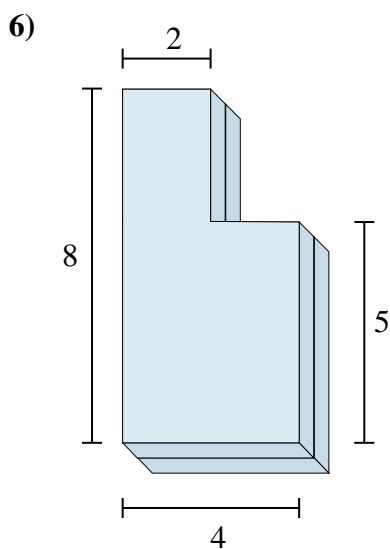
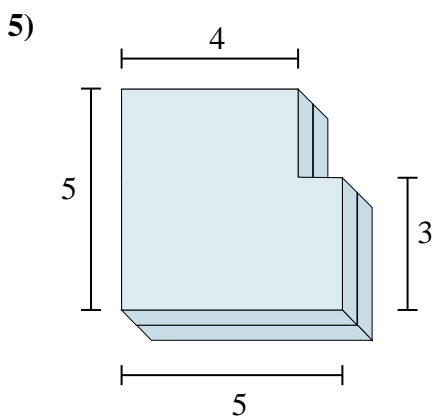
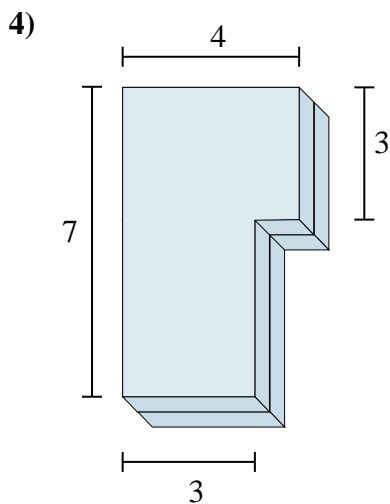
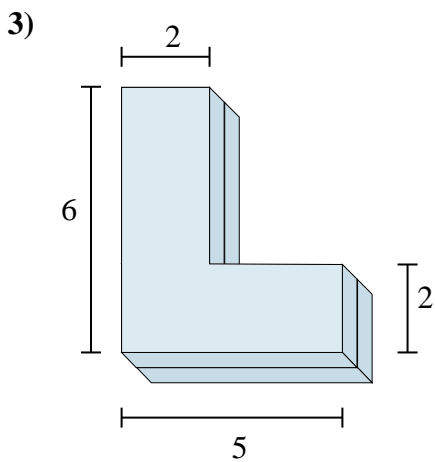


Find the total volume of each figure shown. Measured in cm (not to scale).

Answers

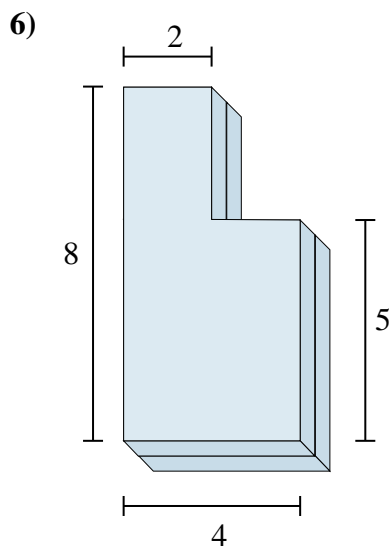
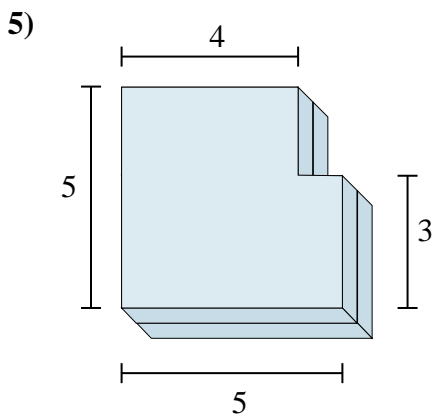
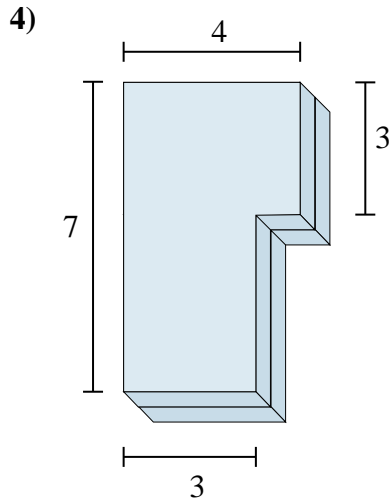
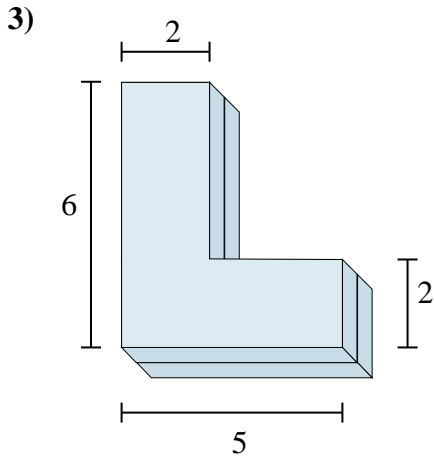
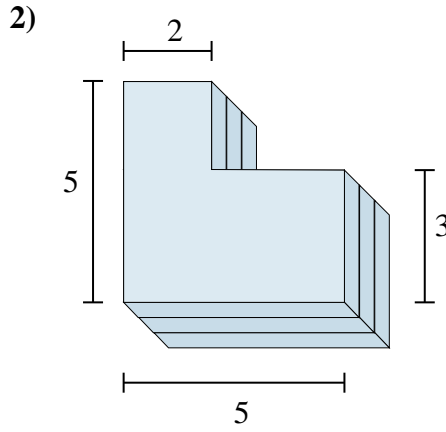
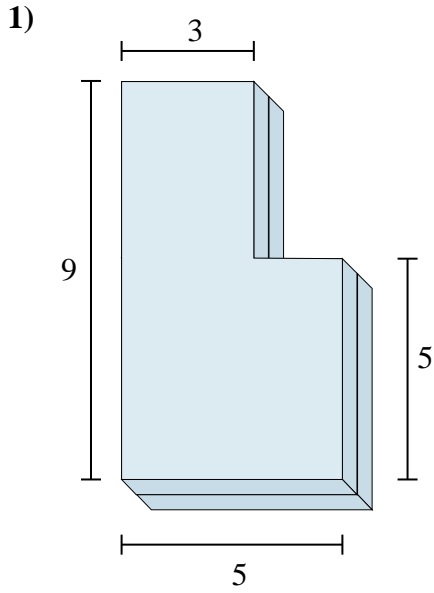


- 1. _____
- 2. _____
- 3. _____
- 4. _____
- 5. _____
- 6. _____





Find the total volume of each figure shown. Measured in cm (not to scale).



Answers

1. 74 cm³

2. 57 cm³

3. 36 cm³

4. 48 cm³

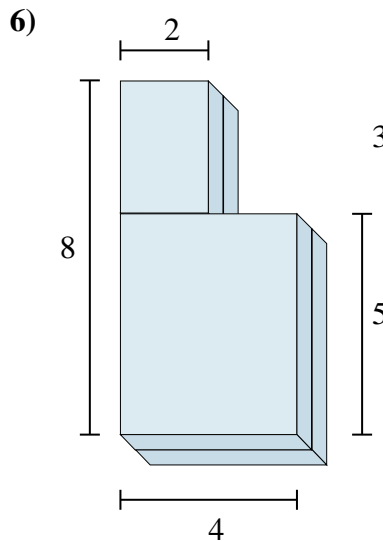
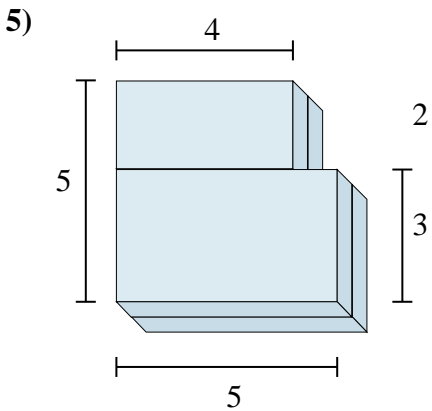
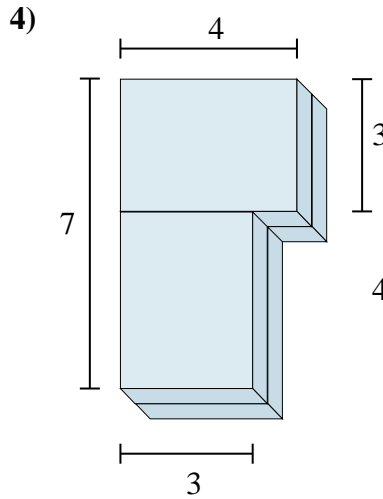
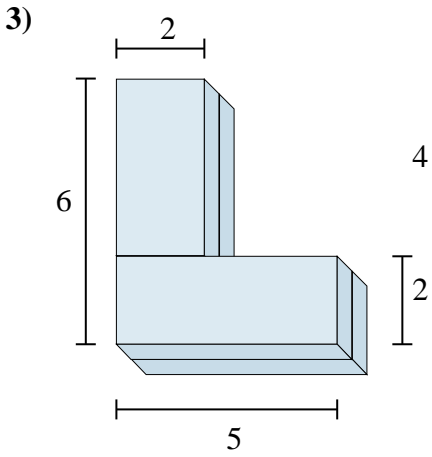
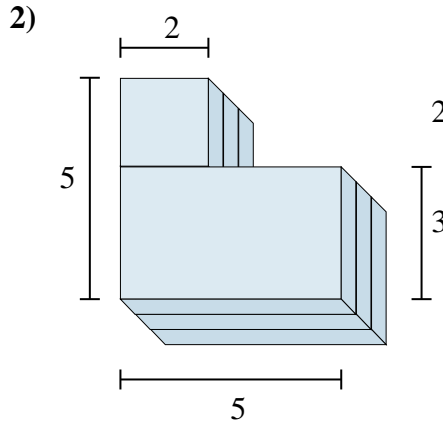
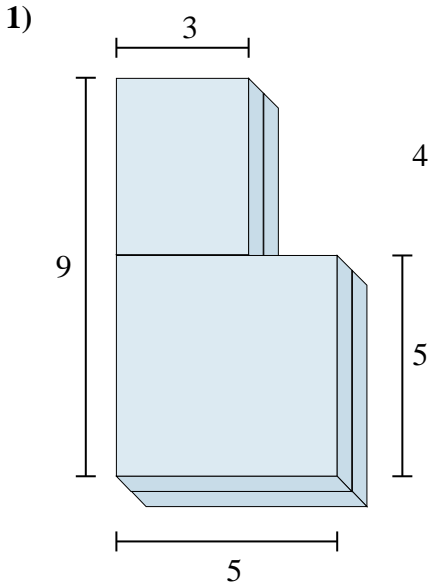
5. 46 cm³

6. 52 cm³



Find the total volume of each figure shown. Measured in cm (not to scale).

Answers



1. _____
2. _____
3. _____
4. _____
5. _____
6. _____